



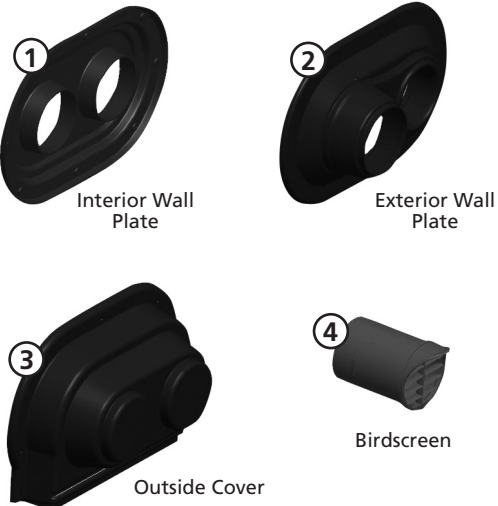
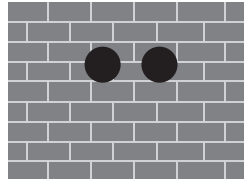
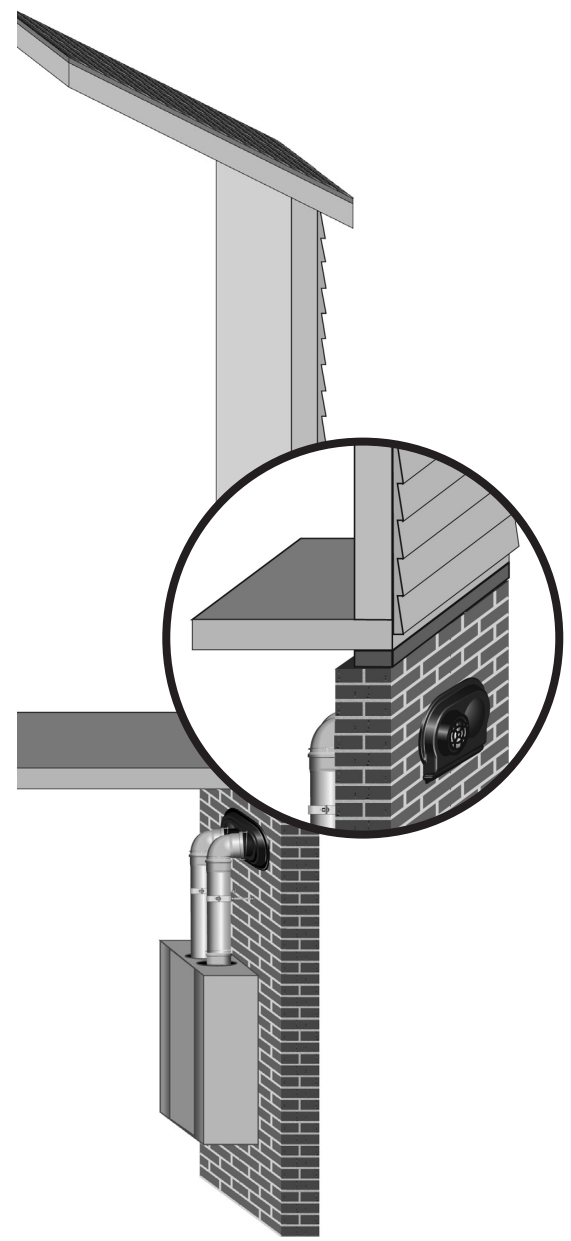
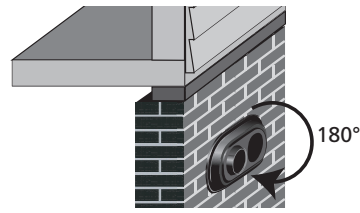
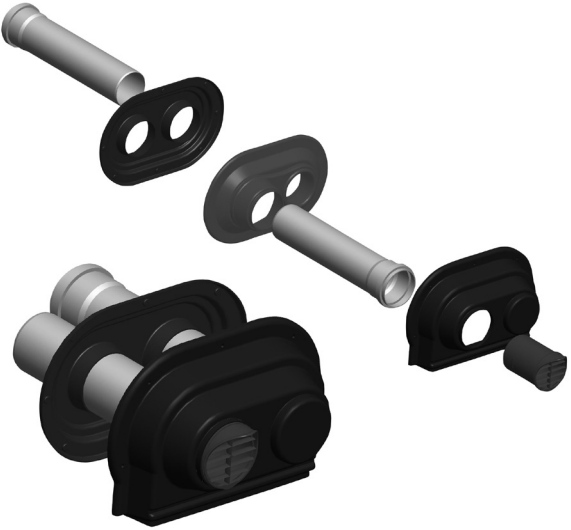
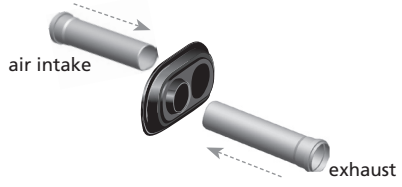
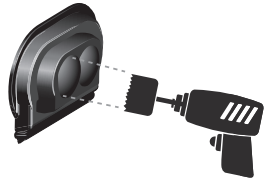
**Centrotherm**  
solutions beyond

**InnoFlue®**

Mounting instructions for kit | Low Profile Wall Termination

**ISLPT0202 / ISLPT0303**

**SINGLE WALL**

Contents of the kit	Installation		
 <p>1 Interior Wall Plate</p> <p>2 Exterior Wall Plate</p> <p>3 Outside Cover</p> <p>4 Birdscreen</p>	<p>1 Use hole saw to cut holes (2½" for ISLPT0202; 3¼" for ISLPT0303) in exterior structure 4¾" apart center to center. Locate terminator per local code.</p> 		
<p><b>Installation</b></p>	<p>2 Mount Exterior Wall Plate (2) to structure. Ensure raised cone of Exterior Wall Plate is on exhaust side (The Exterior Wall Plate may rotate 180° to accomplish this). Install Interior Wall Plate (1).</p> 		
 <p>Vent lengths sold separately.</p>	<p>3 Install Vent Lengths (sold separately). Caulk around Exterior Wall Plate (2). Screw through Air Intake Vent Length and Exterior Wall Plate (2) securing vent length.</p> 		
	<p>4 Use a 2⅜" (for ISLPT0202) or 3⅛" (for ISLPT0303) diameter hole saw to cut out exhaust side of Outside Cover (3).</p> 		
<p>5 Mount Outside Cover (3) with hole lining up with raised side of Exterior Wall Plate (2). Install Bird Screen (4).</p> 